

THE PMI ADVANCED AUTOMATED POROSIMETER PERMEAMETER

APP-10K-A-1



Not just products...*solutions!*

Description

Core samples are held with a sleeve (pneumatic or hydraulic) which compresses the sample to the desired pressure. While the rock sample is under compressive stress, the permeability of gases are measured.

This sophisticated instrument utilizes equipment that is fully automated. Execution of the test, data acquisition, data storage, and data management are all performed by the user-friendly software. Operator involvement is minimal and the robust machine requires a minimal amount of care.

Capabilities

- Gas permeability under confining pressure
- Core porosity under confining pressure

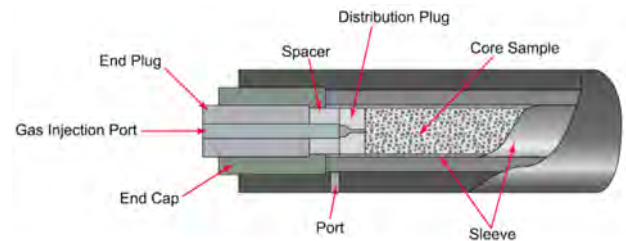


Figure 1
Detailed diagram of the sample chamber

Principle

A rock sample is held in the sample chamber and compressive stress is applied. While the sample is under compressive stress, the desired properties are measured.

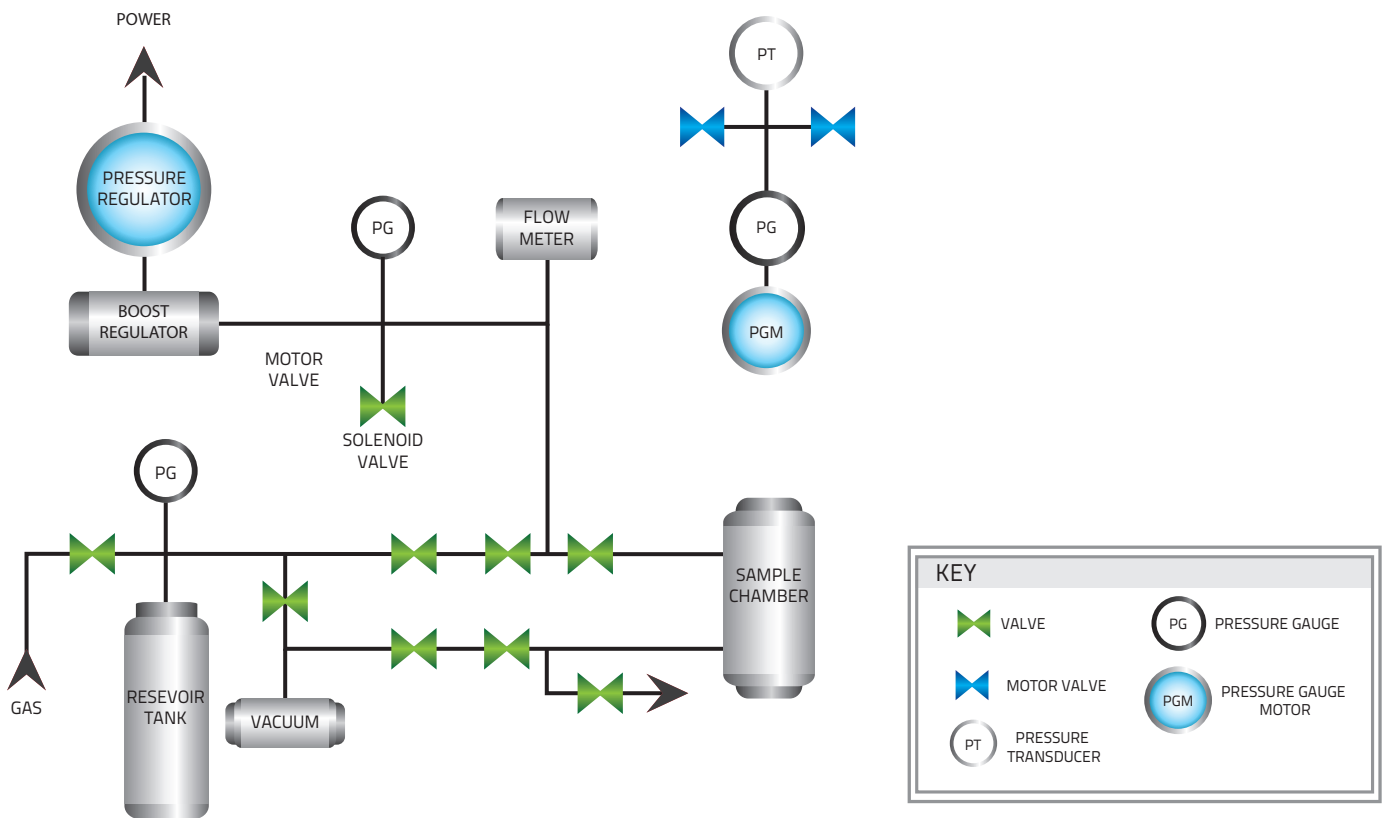


Figure 2
Principle of PMI APP-10K-A-1

Specifications*

- Injection Pressure: 3,000 psi
- Confining Pressure: 400 to 10,000 psi (pneumatic/hydraulic)
- Core Length: 1" to 4" and custom
- Core Diameter: 1" insert to accommodate roves of different sizes
- Permeability Range: 0.001 md to 15 darcy
- Porosity Range: - 0.1 - 40%
- Power Requirements: 11/220 VAC, 50/60 Hz

* Other specifications for this machine are available. Specifications are subject to change without notice.

Sales & Services

Our sales team is dedicated to helping our customers find which machine is right for their situation. We also offer custom machines for customers with unique needs. To find out what we can do for you, contact us.

We are committed to customer support including specific service products, short response times & customer specific solutions. To quickly & flexibly meet our customer's requirement, we offer a comprehensive range of services.



Customize your machine today!



20 Dutch Mill Rd, Ithaca, NY 14850, USA
Toll Free (US & Canada): 1-800-TALK-PMI (1-800-825-5764)
Phone: 607-257-5544 Fax: 607-257-5639

Email: info@pmiapp.com

www.pmiapp.com

The most advanced, accurate, easy to use
and reproducible porometers in the world.



20 Dutch Mill Rd, Ithaca, NY 14850, USA
Toll Free (US & Canada): 1-800-TALK-PMI (1-800-825-5764)
Phone: 607-257-5544 Fax: 607-257-5639

Email: info@pmiapp.com

www.pmiapp.com